

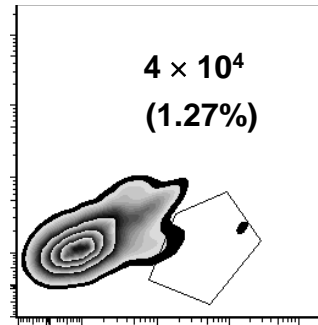
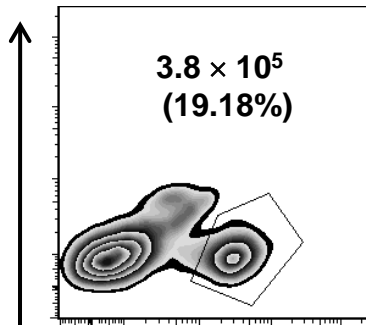
Supplemental Figure S1

A

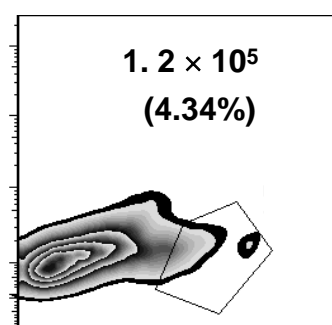
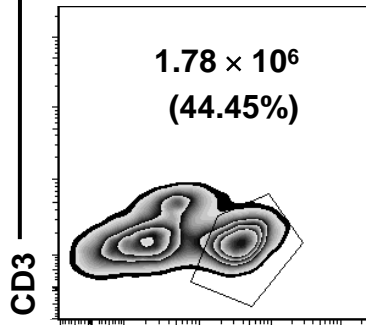
Non-NK cell-depleted Rag^{-/-}

NK cell-depleted Rag^{-/-}

uninfected



R. conorii-
infected



CD3

DX5

B

